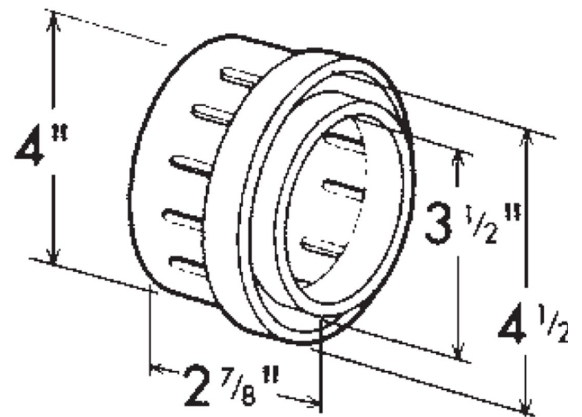
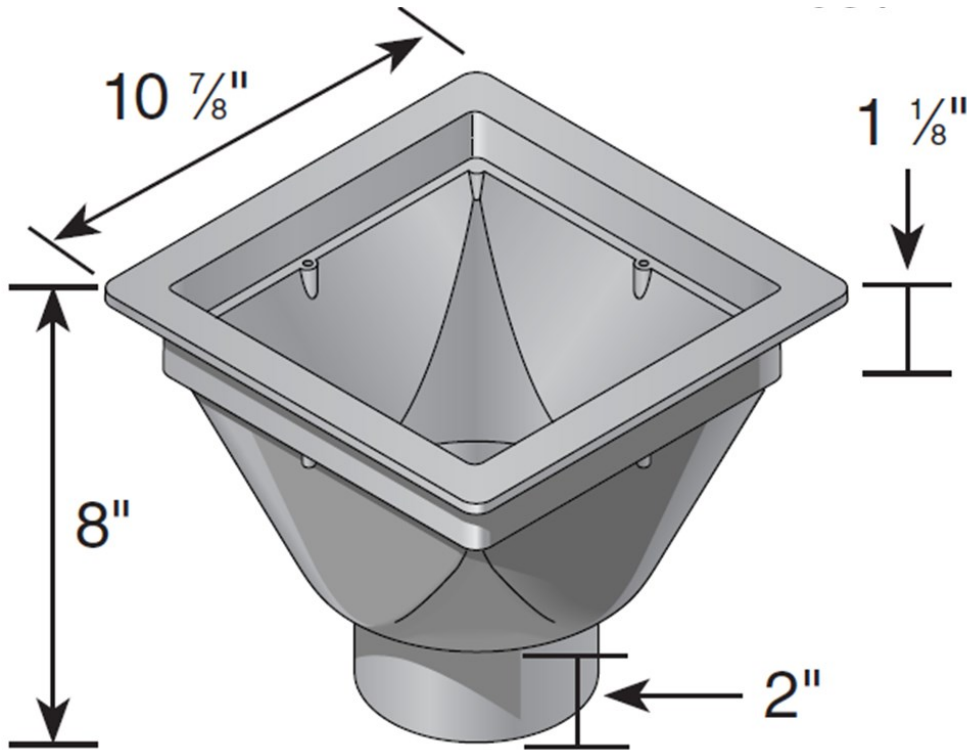


## 9" x 9" Deep Housing Spigot Adapter



Part #: 931  
 Material: (HIPS) High Impact Polystyrene  
 Color: Black  
 Fits: 4" Corrugated pipe, use #933 to adapt to 4" sewer and drain pipe.  
 Use with 9" x 9" Grate  
 UV inhibitor  
 Weight Per Each: 2.51 lbs.

Part #: 933  
 Material: (HIPS) High Impact Polystyrene  
 Color: Black  
 Fits: 4" sewer and drain pipe, use housing adapter bushing with #931.  
 Weight Per Each: 0.23 lbs.

Supplied By:

**TRENCHDRAIN  
SUPPLY**

877-903-7246

www.trenchdrainsupply.com

